

# Grease Duct Access Doors

-UL and cUL listed doors are available in galvanized or 304 or 316 stainless steel-  
 -The ONLY Single Skin UL/cUL Listed Grease Duct Access Doors-



UL and cUL listed DuraSystems grease duct access doors are available in various sizes and shapes including curved for access to round duct. The doors offer a grease and air tight gasketing system that meets or exceeds all NFPA 96 and mechanical code requirements.

## Access Doors Features

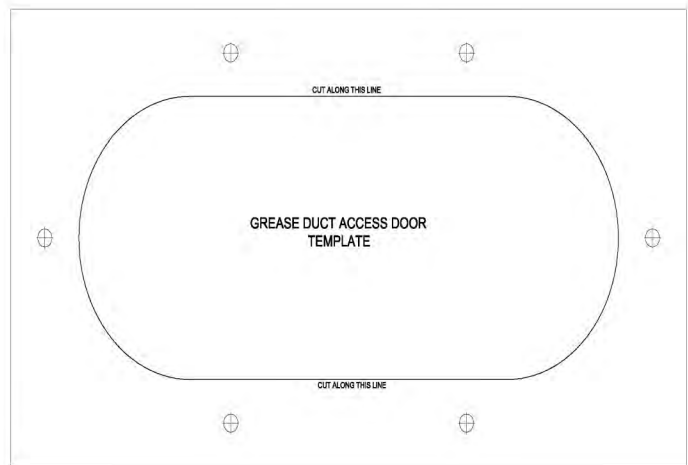
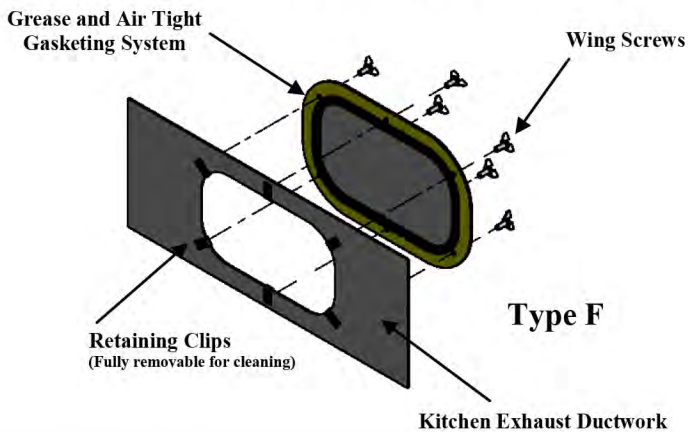
- Quick installation / Lightweight design
- UL 1978 Listed Access Door
- No measuring (cut-around template provided)
- No frame to install and seal
- Door is completely removable for cleaning
- Tool-less install for easy opening and closing
- Specialized pre-applied gasketing
- No welding required
- Can be used with zero clearance systems
- Union made patented single skin design
- Curved access doors available for round duct
- Rigid handle for easy handling
- 14 Gauge Steel
- Eliminates misalignment issues upon re-install

Model	Door 'OD'	Door 'ID'	Weight
1508	15" x 8"	12" x 5"	3 lbs
1510	15" x 10"	12" x 7"	4 lbs
1512	15" x 12"	12" x 9"	5 lbs
2108	21" x 8"	18" x 5"	4 lbs
2110	21" x 10"	18" x 7"	5 lbs
2112	21" x 12"	18" x 9"	6 lbs
2114	21" x 14"	18" x 11"	6 lbs
2118	21" x 18"	18" x 15"	8 lbs
2323	23" x 23"	20" x 20"	13 lbs



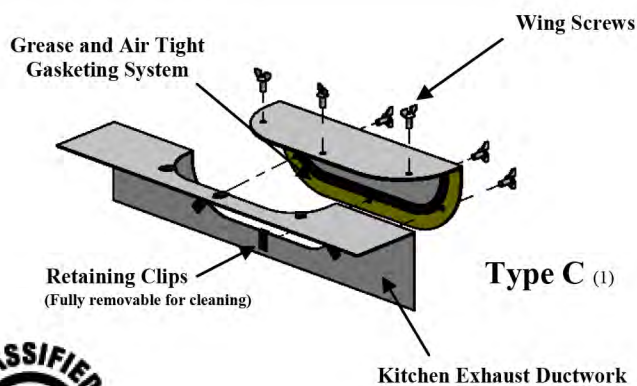
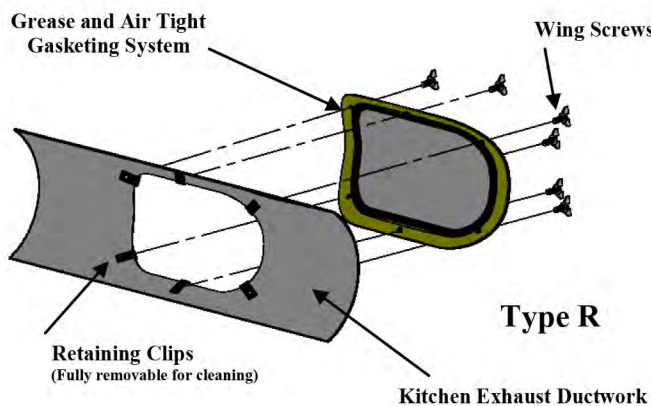
# Grease Duct Access Doors

## Available Configurations



## Installation Instructions

- 1) Remove backing from this template.
- 2) Position template on the side or top of the duct in the desired location. Make sure template is secure so that it does not move during the installation.
- 3) Using a 5/16" drill bit, drill a hole at each location shown on the template.
- 4) Cut opening in the duct along the line shown.
- 5) Remove the remainder of the template from the duct.
- 6) Install a retaining clip at each 5/16" hole location.
- 7) Locate access door over opening so that at least one hole in the door is aligned with a retaining clip.
- 8) Loosely install a wing screw to temporarily hold the door in place.
- 9) Loosely install the remaining wing screws so that each hole in the access door has a fastener.
- 10) Tighten each wing screw fastener until the gasket is in contact with the duct wall.
- 11) Finger tighten each wing screw fastener until snug.



(1) Contact local AHJ prior to installation

Patent No. 8276309

