


This model includes :

- Start/Stop and manual modulation of the exhaust fan
- Interruption and reset of cooking equipment
- Exhaust hood lights control
- Fire protection management according to NFPA 96

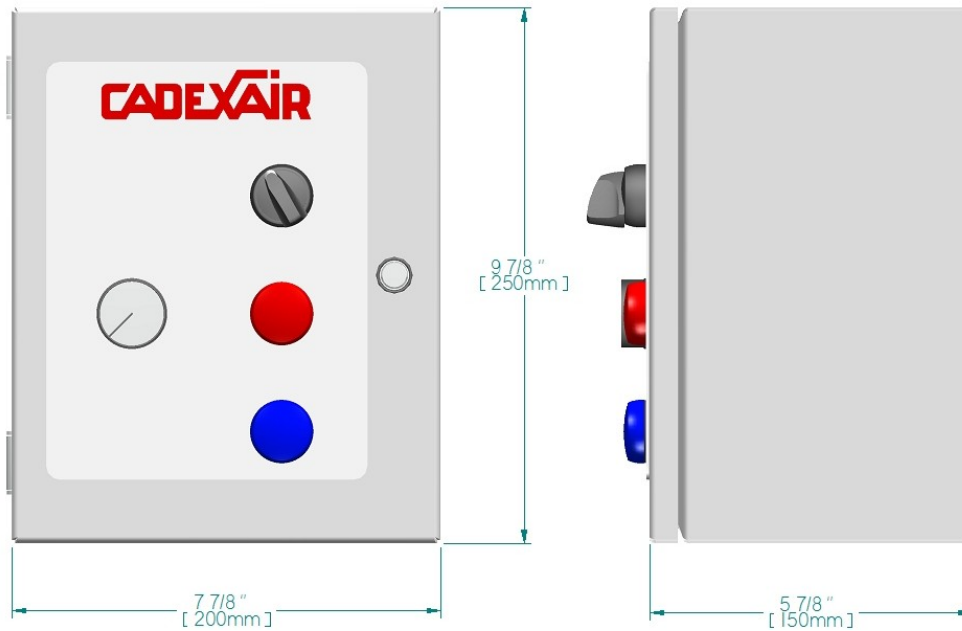
Frequently requested options :

- Exhaust fan speed dimmer located inside the control panel
- Start/stop of the exhaust fan without modulation

Specifications	
Installation	Wall-mounted or embedded
Boitier	Painted steel 16 MSG; gray polyester finish
Voltage	120V
Amperage	15A
Standard	 Nema 4

Need a *custom solution*? Contact us!

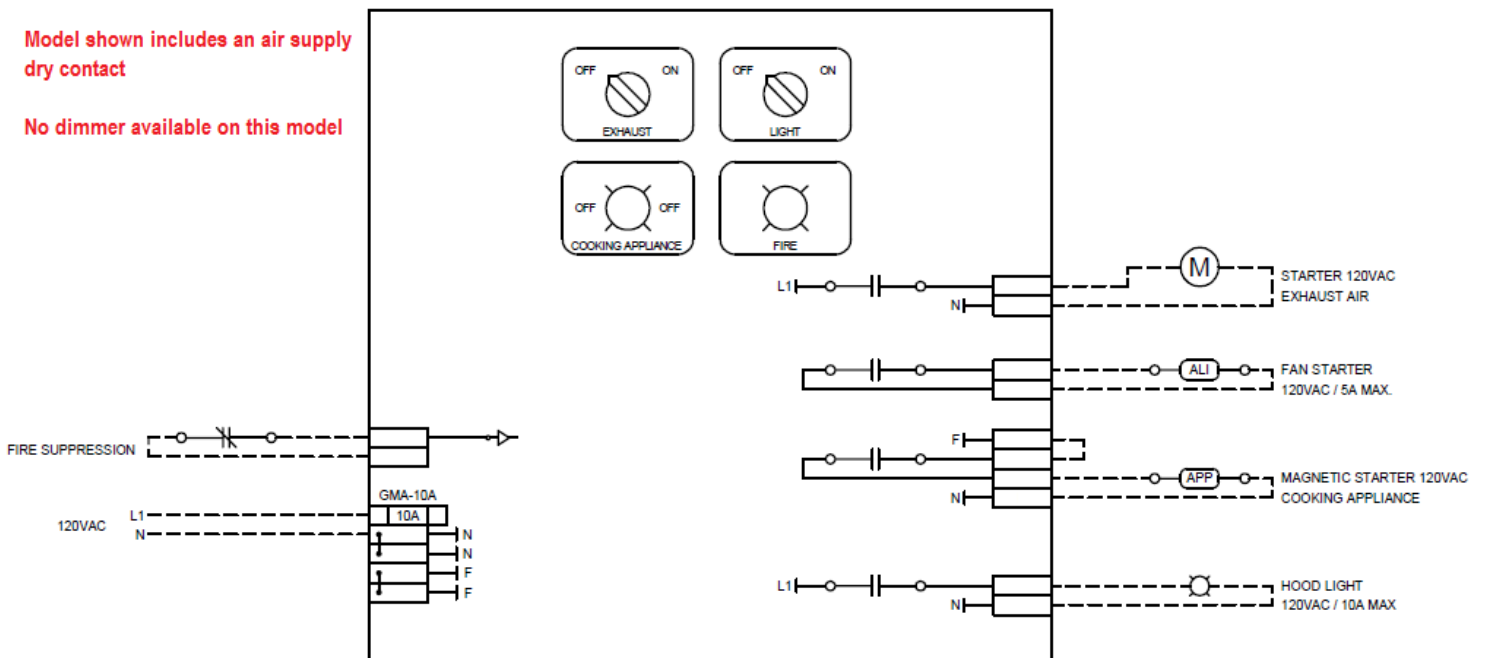
Mecanical specifications



Wiring schematics

Model shown includes an air supply dry contact

No dimmer available on this model



Need a *custom solution*? Contact us!