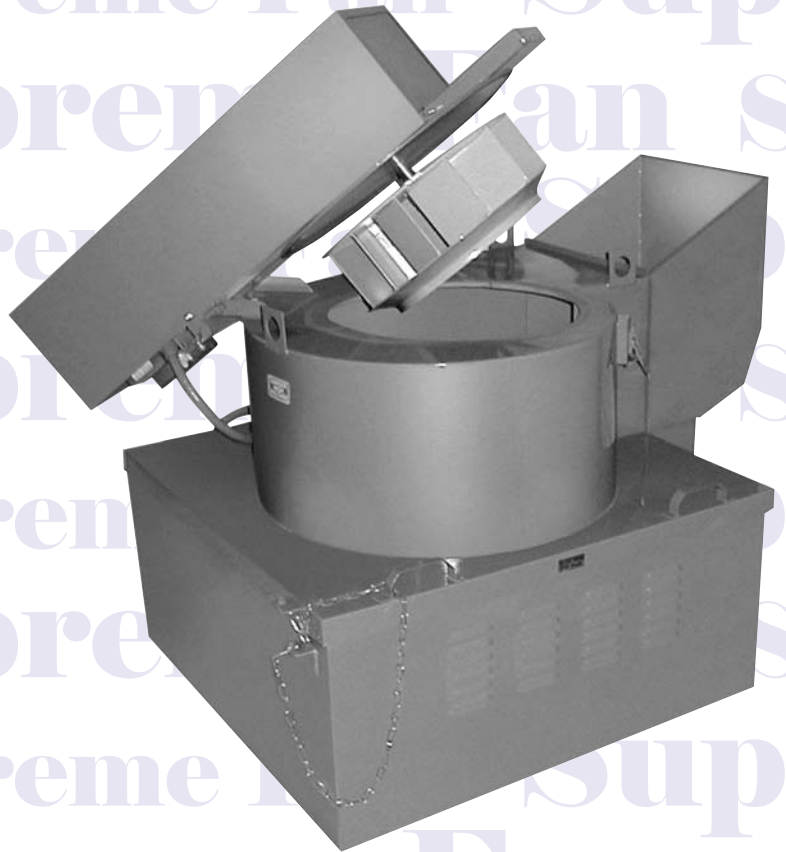


Bulletin SF-GB06
January 2006

Supreme Fan



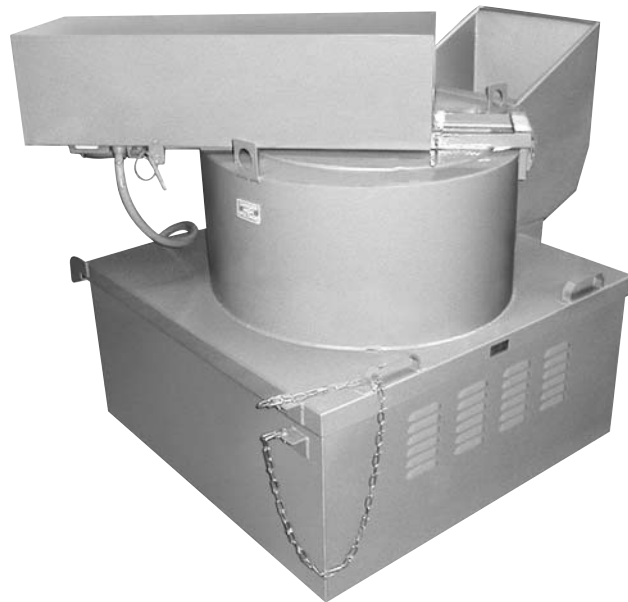
GBD-C-H

Heavy-Duty Curb Mounted
Exhaust Blower for
Restaurant Ventilation

Experience the Supreme Difference

Table of Contents

Introduction	3
Features	3
Optional Equipment	4
Sample Specifications	5
Dimensional Data	6
Grease Duct Installation	7
Side Inlet Fitting	7
Performance Data	8
Lubrication and Maintenance	10
Warranty	11



The Supreme GBD blower is UL listed (classification YZHW, subject #5372) for use in restaurants with grease-laden air.

Supreme Fan Products certifies that the GBD exhaust blowers shown herein are licensed to bear the AMCA seal. The ratings shown are based on tests and procedures performed in accordance with AMCA Publication 211 and comply with the requirements of the AMCA Certified Ratings Program.

Introduction

Whether installing a new kitchen ventilation system or renovating an existing one, quality conscious restaurant owners and designers have insisted on GBD from Supreme Fan for over 25 years. This exceptional, heavy duty, curb mounted exhaust blower system is easily installed, delivers efficient performance and offers easy access for cleaning and servicing. The GBD, with static pressure capabilities to 5" w.g., is available in seven sizes from 12" – 30" and in CFM ranges from 500 – 14,000.

Here are the features which make the Supreme difference in setting the GBD apart from typical kitchen exhaust systems:

Heavy Duty Bearings

Bearings used on GBD blowers are durable, self aligning, pillow-block, ball bearing type with Zerk fittings for effortless lubrication.

Fan Wheel

The fan wheel is constructed of heavy gauge aluminum or steel and is backwardly inclined and non-overloading. The standard Supreme wheel is capable of exhausting up to 5" w.g. (consult factory for higher static applications).

The lift-out wheel used on the GBD is counterbalanced and designed to lift out of the fan assembly. This allows for easy cleaning and maintenance.

Motor

The motors used on all Supreme Fan products are energy efficient and are rated for continuous duty operation. Being completely out of airstream, the motor is readily accessible for maintenance by simply raising the motor cover, without the use of tools.

Base

The bases available for GBD blowers are fabricated from heavy gauge steel and are continuously welded for strength and durability. Bases are vented and reinforced at hinging points for extra strength.

Discharge Scoop

The discharge scoop used on the GBD blowers is continuously welded to the blower housing to prevent grease leakage. The GBD blower has a very low profile.

Supreme Fan offers a 36" discharge extension, if needed, to extend the discharge above the roof line.

Grease Reservoir

The unique design of the grease reservoir on GBD blowers is another part of why these units are Supreme. Its heavy gauge construction separates it from other manufacturers; the extra large Supreme reservoir is designed to separate water from real restaurant grease. The reservoir is integral to the fan base, continuously welded liquid-tight, and is designed to handle large amounts of liquid. Water and snow are allowed to separate from the grease and run off onto the roof, while the grease is trapped in the reservoir. The reservoir is provided with a brass ball valve for ease of draining. The liquids can be optionally piped to a code-approved receptor, eliminating the need for rooftop maintenance of the reservoir.

Funnel Fitting

A funnel to connect ductwork from the fan inlet to the exhaust duct is available. It is constructed of heavy gauge galvanized material and is continuously welded to make a liquid-tight connection to the blower unit. Provide duct size when ordering.

Housing

The housing is made of heavy gauge steel and is continuously welded liquid-tight for strength and to prevent grease leakage. Supreme covers the entire unit with UL approved high gloss paint to make cleaning easy. Lifting lugs are factory installed for ease of rigging. The fan housing is hinged to make access and cleaning of ductwork simple. The stainless steel hinges pivot the fan housing and welded steel stops hold the fan in place.

MODELS	
GBD	Heavy Duty Curb Mounted Exhaust Blower with Vented Base
GBC	Heavy Duty Curb Mounted Exhaust Blower with Dual Motor Option
GBH	Heavy Duty Curb Mounted Exhaust Blower Less Base

Optional Equipment



Extended Discharge Scoop

The optional extended discharge scoop is available if a greater distance is required between the exhaust and supply inlets in order to meet code requirements or job site conditions. The single outlet discharge on the GBD makes this separation easier.

Roof Curb

If requested, Supreme can provide an all steel roof curb for the GBD, designed for easy, weatherproof mounting.

Side Inlet Fitting

Unlike other manufacturers, if horizontal roof ductwork is required, Supreme offers the option of a continuously welded, grease-tight, side inlet fitting incorporated into the base of the GBD. This option is needed if ductwork is to be run horizontally into the fan.

Funnel Fitting

A funnel fitting to connect the grease duct to the fan is required and is available as a factory supplied option.

Disconnect Switches

A complete line of disconnect switches are available, factory installed and pre-wired. Switches provided are non-fused and NEMA 3R.

GBC Dual Motor Blower

100% STANDBY PROTECTION AT A FRACTION OF THE COST OF TWO SEPARATE FANS

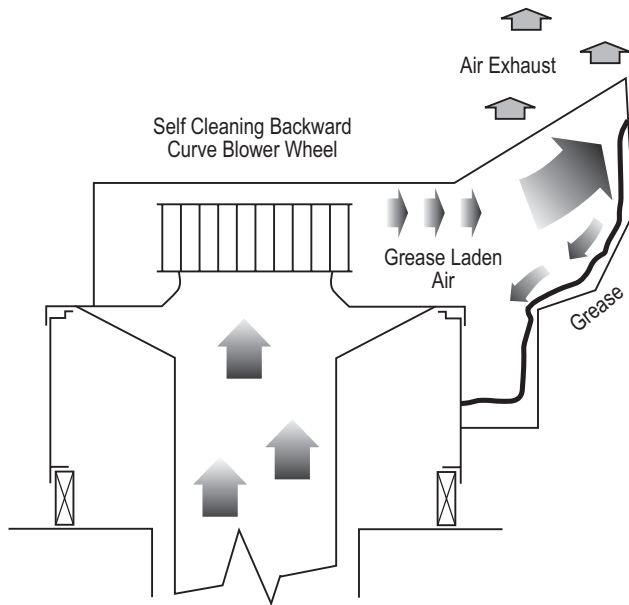
GBC heavy duty, dual motor exhaust blowers from Supreme Fan have something no one else in the industry can touch... an ingenious solution to a constant food service operator's headache. What happens when an exhaust blower fails? You shut down and wait for service. Or you planned ahead and bought a backup blower, just in case. Now Supreme puts the standby protection you need into a package that costs hundreds less than buying a redundant blower and eliminates the need to wait for service.

GBC Dual Motor Option

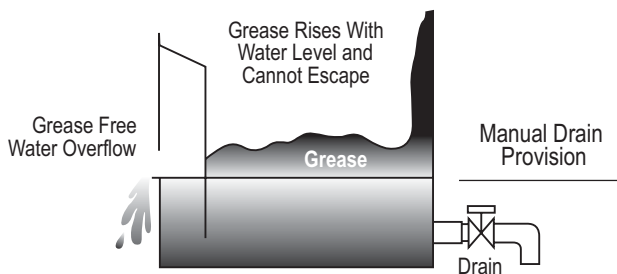
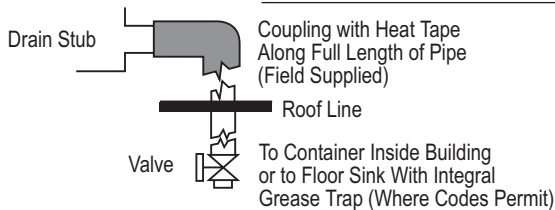
Supreme's GBC blowers have all of the outstanding features of our GBD models, plus a second motor. This dual motor system allows for true continuous performance. Should one of the motors fail to operate, the second motor can be brought on-line with the simple installation of a drive belt. The second motor can be energized via the control panel (by others).



Sample Specifications



Continuous Drain Provision



GBD exhaust blowers shall be curb-mounted with fan housing entirely constructed of heavy gauge steel, fully welded. Blower shall have a single, integral, continuously welded upblast discharge scoop constructed of similar materials with a fully welded drain for liquid to travel to a fully welded grease reservoir. Reservoir shall be permanently mounted to the base under the discharge scoop and shall be designed to allow water to escape while retaining grease in the reservoir. Grease shall be drained by the use of a brass single-throw ball valve.

The entire unit shall be painted with UL approved high gloss paint. Supreme Fan can provide a full range of coatings for various applications (consult factory for details).

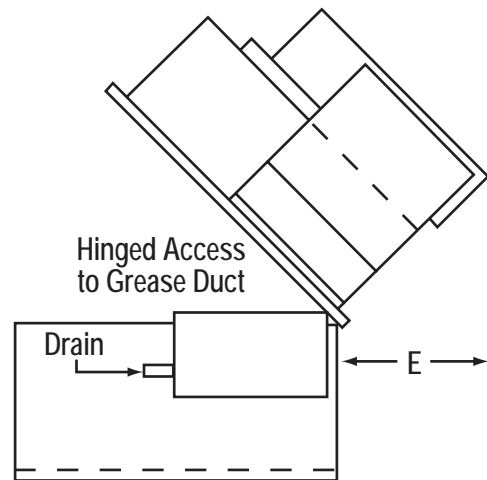
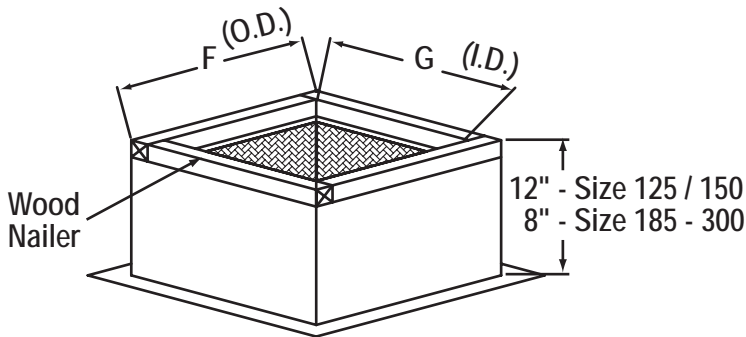
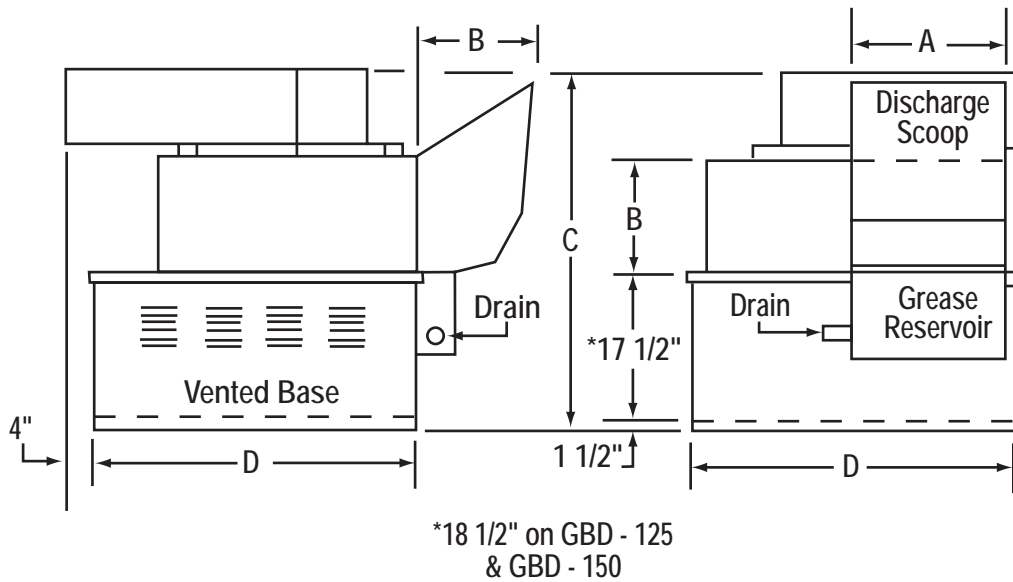
Blower shall have a counterbalanced, tilt-out fan wheel, including a safety lockout pin to prevent the wheel assembly from dropping during maintenance. Fan wheel shall be constructed from heavy duty, welded aluminum or steel, shall be backward-inclined, statically and dynamically balanced, and of a non-overloading type.

Fan motor shall be mounted out of the air stream on a heavy gauge welded angle iron frame. Motor shall be a continuous duty, energy efficient type. Motor, belt and pulley assembly shall be factory installed.

Entire blower shall be base-mounted and hinged, so that the unit may be tilted upward for cleaning of exhaust duct system. Unit shall be equipped with a safety chain to prevent damage during the cleaning operation.

Motor cover shall be constructed from steel and shall be easily opened for maintenance without the use of tools. Bearings shall be heavy duty, pillow-block ball bearing type with Zerk fittings for lubrication. Blower is licensed to bear the AMCA seal. The GBD blower is UL listed (classification YZHW, subject #537Z) for use on restaurant exhaust systems.

GBD DIMENSIONAL DATA



MODEL	DIAGRAM REFERENCE DIMENSIONS							EQUIPMENT WEIGHTS			APPROXIMATE CRATE OR CARTON DIMENSIONS		
	A	B	C	D	E+	F	G	FAN WEIGHT	SHIP WEIGHT*	CURB WEIGHT	LENGTH	WIDTH	HEIGHT
GBD-125	16 1/8	12	44 1/2	34	29	33 1/2	30 1/2	250 lb.	350 lb.	40 lb.	61	45 1/2	52
GBD-150	16 1/8	12	44 1/2	34	29	33 1/2	30 1/2	250 lb.	350 lb.	40 lb.	61	45 1/2	52
GBD-182	19 1/2	14 5/8	46	40 1/2	32	39 3/4	36 3/4	350 lb.	475 lb.	40 lb.	72	48 1/4	55
GBD-222	23 3/4	17 3/4	49 1/2	40 1/2	35	39 3/4	36 3/4	420 lb.	545 lb.	40 lb.	72	48 1/4	55
GBD-245	26 1/4	19 5/8	52	47	37	46 1/2	43 1/2	520 lb.	695 lb.	45 lb.	81 1/2	57 1/2	62 1/2
GBD-270	29	21 5/8	53	53	39	52 1/2	49 1/2	620 lb.	820 lb.	45 lb.	91	66 1/2	69 1/2
GBD-300	32 1/4	23 3/4	55	65 1/2	41	64 1/2	61 1/2	720 lb.	970 lb.	55 lb.	104	73 1/2	72 1/2

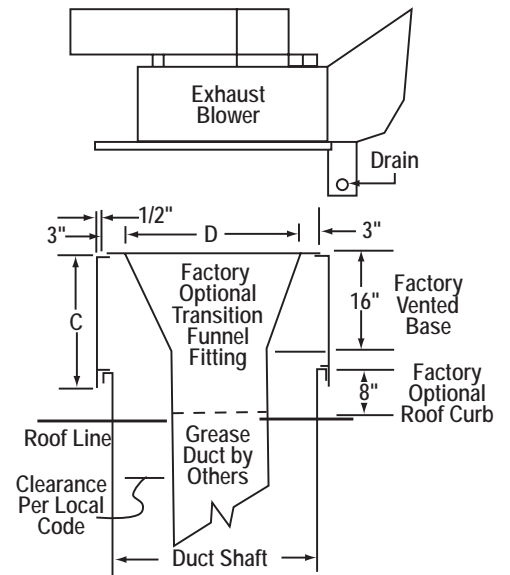
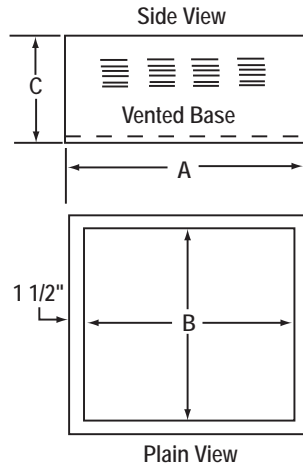
+Nominal max. dimension in open position *Approximate
All dimensions in inches.

Grease Duct Installation

Grease Duct Installation Procedure

1. Loosen hinge bolts securing blower to base. Lift blower off base. Set base on roof curb.
2. Drop grease duct through opening in base. Flanges on duct will set on lip of base to hold duct in place.
3. Set blower on base and tighten bolts that secure hinges to base.

MODEL	A	B	C	D
GBD-125	34	31	20	27
GBD-150	34	31	20	27
GBD-182	40 1/2	37 1/2	19	33 1/2
GBD-222	40 1/2	37 1/2	19	33 1/2
GBD-245	47	44	19	40
GBD-270	53	50	19	46
GBD-300	65 1/2	62 1/2	19	58 1/2

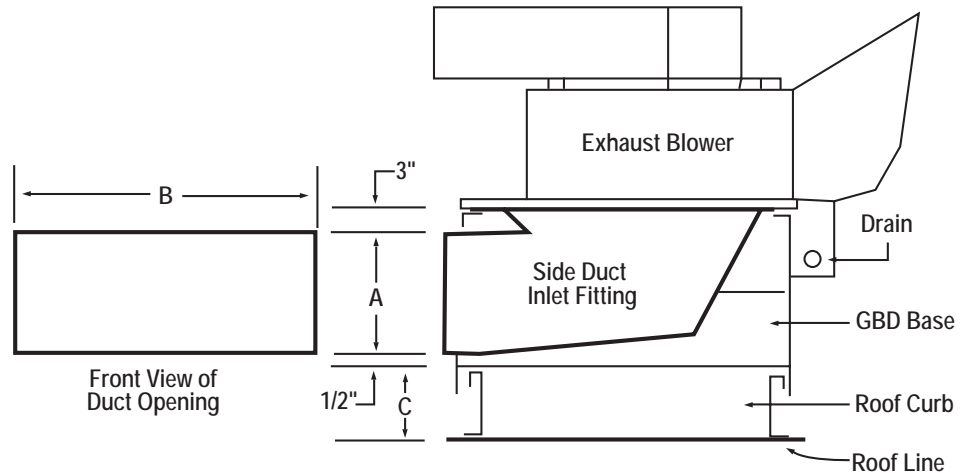


Side Inlet Fitting (Factory Option)

When Ordering...

1. Supply A and B dimensions for proper connection of the grease duct.
2. Supply C dimension that will allow proper horizontal duct run. Duct installation must conform with NFPA 96 or local code requirements.

MODEL	MAXIMUM DIMENSIONS	
	A	B
GBD-125	14	30 1/2
GBD-150	14	30 1/2
GBD-182	14	36 3/8
GBD-222	14	36 3/8
GBD-245	14	43 1/2
GBD-270	14	49 1/2
GBD-300	14	61 7/8



Curb Height Will Vary Depending on Length of Exposed Duct on Roof

GBD Performance Data

GBD-125

CFM	FAN CAPACITY - CUBIC FEET PER MINUTE (CFM)															
	0.250" SP		0.500" SP		0.750" SP		1.000" SP		1.500" SP		2.000" SP		2.500" SP		3.000" SP	
	RPM	BHP	RPM	BHP	RPM	BHP	RPM	BHP	RPM	BHP	RPM	BHP	RPM	BHP	RPM	BHP
500	747	0.07	963	0.14	1135	0.23	1286	0.32	1543	0.54	1759	0.79	1950	1.06	2123	1.35
700	854	0.10	1053	0.19	1218	0.29	1360	0.40	1603	0.64	1817	0.91	2008	1.21	2180	1.53
900	976	0.15	1155	0.25	1311	0.37	1447	0.49	1684	0.76	1886	1.05	2068	1.37	2239	1.71
1100	1105	0.21	1273	0.33	1414	0.46	1544	0.60	1772	0.90	1971	1.22	2147	1.56	2309	1.93
1300	1240	0.29	1397	0.43	1531	0.58	1650	0.73	1868	1.06	2059	1.42	2234	1.79		
1500	1377	0.40	1527	0.56	1653	0.72	1767	0.89	1970	1.25	2156	1.63	2324	2.04		
1700	1518	0.53	1660	0.71	1780	0.89	1889	1.07	2083	1.46	2259	1.88				
1900	1661	0.68	1795	0.89	1911	1.09	2015	1.29	2202	1.71						

GBD-150

CFM	FAN CAPACITY - CUBIC FEET PER MINUTE (CFM)																			
	0.250" SP		0.500" SP		0.750" SP		1.000" SP		1.500" SP		2.000" SP		2.500" SP		3.000" SP		4.000" SP		5.000" SP	
	RPM	BHP	RPM	BHP	RPM	BHP	RPM	BHP	RPM	BHP	RPM	BHP	RPM	BHP	RPM	BHP	RPM	BHP	RPM	BHP
1200	969	0.17	1099	0.25	1216	0.33	1326	0.42	1547	0.64	1725	0.86	1869	1.08	2004	1.30	2271	1.80	2522	2.37
1400	1088	0.24	1204	0.33	1310	0.41	1411	0.51	1600	0.73	1791	0.99	1952	1.26	2080	1.50	2319	2.02	2546	2.58
1600	1210	0.33	1315	0.43	1412	0.52	1506	0.63	1678	0.85	1844	1.11	2010	1.41	2163	1.73	2399	2.30	2604	2.87
1800	1333	0.45	1430	0.55	1521	0.66	1606	0.77	1768	1.01	1916	1.27	2063	1.55	2215	1.90	2481	2.60		
2000	1439	0.59	1550	0.70	1634	0.82	1713	0.94	1864	1.19	2004	1.47	2137	1.75	2271	2.08	2535	2.83		
2400	1717	0.95	1795	1.09	1868	1.23	1939	1.37	2070	1.66	2197	1.96	2316	2.28	2433	2.61				

GBD-182

CFM	FAN CAPACITY - CUBIC FEET PER MINUTE (CFM)																			
	0.250" SP		0.500" SP		0.750" SP		1.000" SP		1.500" SP		2.000" SP		2.500" SP		3.000" SP		4.000" SP		5.000" SP	
	RPM	BHP	RPM	BHP	RPM	BHP	RPM	BHP	RPM	BHP	RPM	BHP	RPM	BHP	RPM	BHP	RPM	BHP	RPM	BHP
1800	695	0.20	806	0.30	908	0.41	999	0.53	1159	0.78	1299	1.06	1432	1.35	1560	1.64	1799	2.24	2002	2.88
2000	747	0.25	850	0.35	946	0.48	1034	0.60	1190	0.87	1326	1.16	1451	1.47	1570	1.79	1800	2.44	2010	3.11
2400	855	0.37	946	0.50	1030	0.63	1110	0.77	1258	1.08	1388	1.39	1508	1.73	1617	2.09	1822	2.85	2019	3.63
2800	966	0.54	1049	0.68	1124	0.83	1195	0.98	1332	1.32	1457	1.69	1572	2.05	1677	2.42	1870	3.24	2048	4.12
3200	1080	0.76	1156	0.92	1224	1.08	1290	1.25	1413	1.61	1532	2.01	1642	2.42	1744	2.83	1931	3.69	2102	4.62
3600	1196	1.04	1266	1.22	1330	1.40	1389	1.58	1503	1.96	1612	2.38	1716	2.83	1816	3.30	1997	4.23	2164	5.19
4400	1430	1.78	1491	2.01	1548	2.23	1600	2.44	1700	2.89	1794	3.35	1884	3.85	1972	4.37	2142	5.47	2300	6.62

GBD-222

CFM	FAN CAPACITY - CUBIC FEET PER MINUTE (CFM)																			
	0.250" SP		0.500" SP		0.750" SP		1.000" SP		1.500" SP		2.000" SP		2.500" SP		3.000" SP		4.000" SP		5.000" SP	
	RPM	BHP	RPM	BHP	RPM	BHP	RPM	BHP	RPM	BHP	RPM	BHP	RPM	BHP	RPM	BHP	RPM	BHP	RPM	BHP
2800	640	0.34	723	0.48	799	0.64	870	0.82	982	1.15	1085	1.51	1198	1.98	1306	2.48	1494	3.43	1657	4.83
3200	707	0.46	783	0.62	852	0.78	918	0.97	1036	1.37	1130	1.75	1219	2.15	1317	2.66	1508	3.79	1673	4.88
3600	776	0.61	846	0.78	910	0.96	971	1.16	1086	1.60	1183	2.04	1266	2.47	1346	2.92	1517	4.03	1686	5.32
4200	882	0.89	945	1.10	1003	1.30	1058	1.51	1161	1.97	1259	2.49	1347	3.02	1421	3.51	1559	4.54	1703	5.78
4600	953	1.13	1012	1.35	1067	1.57	1119	1.80	1216	2.28	1308	2.81	1396	3.39	1475	3.97	1608	5.05	1732	6.20
5000	1026	1.40	1081	1.65	1133	1.89	1182	2.13	1274	2.64	1360	3.18	1445	3.78	1525	4.41	1661	5.63	1780	6.82
5600	1135	1.90	1186	2.17	1234	2.46	1280	2.72	1365	3.27	1445	3.85	1525	4.46	1598	5.12	1740	6.54	1858	7.88

Performance shown is for Installation Type A: free inlet, free outlet. Power rating (BHP) does not include drive losses. Performance ratings include the effects of the discharge scoop in the airstream.

GBD Performance Data (cont.)

GBD-245

CFM	FAN CAPACITY - CUBIC FEET PER MINUTE (CFM)																			
	0.250" SP		0.500" SP		0.750" SP		1.000" SP		1.500" SP		2.000" SP		2.500" SP		3.000" SP		4.000" SP		5.000" SP	
	RPM	BHP	RPM	BHP	RPM	BHP	RPM	BHP	RPM	BHP	RPM	BHP	RPM	BHP	RPM	BHP	RPM	BHP	RPM	BHP
4400	709	0.75	773	0.97	831	1.19	885	1.42	989	1.96	1078	2.50	1153	3.02	1225	3.56	1379	4.91	1532	6.48
4800	762	0.93	822	1.16	876	1.40	928	1.65	1026	2.20	1117	2.81	1193	3.38	1261	3.95	1394	5.19	1538	6.77
5200	815	1.14	872	1.39	924	1.65	972	1.91	1065	2.47	1153	3.10	1234	3.77	1301	4.38	1425	5.63	1551	7.10
5600	869	1.38	922	1.65	972	1.92	1018	2.20	1107	2.78	1190	3.43	1270	4.13	1342	4.84	1462	6.16	1575	7.55
6000	923	1.65	974	1.95	1021	2.24	1066	2.53	1150	3.14	1229	3.79	1306	4.52	1379	5.28	1502	6.73	1610	8.17
6400	977	1.96	1026	2.28	1071	2.59	1114	2.90	1195	3.54	1271	4.21	1344	4.94	1415	5.74	1543	7.35	1649	8.85
6800	1032	2.31	1079	2.65	1122	2.98	1163	3.31	1241	3.96	1314	4.68	1383	5.42	1452	6.22	1581	7.94		
7200	1087	2.70	1132	3.06	1174	3.41	1213	3.75	1288	4.46	1358	5.19	1425	5.93	1490	6.75	1617	8.54		

GBD-270

CFM	FAN CAPACITY - CUBIC FEET PER MINUTE (CFM)																			
	0.250" SP		0.500" SP		0.750" SP		1.000" SP		1.500" SP		2.000" SP		2.500" SP		3.000" SP		4.000" SP		5.000" SP	
	RPM	BHP	RPM	BHP	RPM	BHP	RPM	BHP	RPM	BHP	RPM	BHP	RPM	BHP	RPM	BHP	RPM	BHP	RPM	BHP
5400	649	0.94	706	1.20	758	1.47	808	1.76	902	2.41	983	3.08	1051	3.71	1115	4.38	1252	6.00	1390	7.91
5800	688	1.12	743	1.40	793	1.69	840	1.98	929	2.64	1012	3.38	1081	4.07	1143	4.76	1264	6.28	1396	8.21
6200	728	1.32	780	1.62	828	1.93	873	2.24	957	2.91	1039	3.68	1111	4.46	1172	5.18	1286	6.70	1404	8.52
6600	768	1.55	818	1.87	864	2.20	907	2.52	988	3.21	1066	3.99	1139	4.83	1202	5.64	1313	7.20	1417	8.90
7000	808	1.81	856	2.15	900	2.49	942	2.83	1020	3.55	1094	4.33	1166	5.20	1232	6.10	1342	7.75	1442	9.47
7800	890	2.41	934	2.79	975	3.17	1013	3.55	1086	4.33	1155	5.14	1221	6.03	1286	6.99	1402	8.96	1498	10.79
8600	972	3.13	1013	3.56	1051	3.98	1087	4.40	1156	5.24	1220	6.11	1282	7.02	1342	8.00	1457	10.14	1558	12.28
9400	1055	3.99	1093	4.47	1129	4.93	1163	5.39	1227	6.30	1288	7.24	1347	8.20	1403	9.20	1512	11.40		
10200	1138	5.01	1174	5.53	1207	6.03	1240	6.53	1301	7.52	1358	8.52	1414	9.54	1467	10.59	1569	12.80		

GBD-300

CFM	FAN CAPACITY - CUBIC FEET PER MINUTE (CFM)																			
	0.250" SP		0.500" SP		0.750" SP		1.000" SP		1.500" SP		2.000" SP		2.500" SP		3.000" SP		4.000" SP		5.000" SP	
	RPM	BHP	RPM	BHP	RPM	BHP	RPM	BHP	RPM	BHP	RPM	BHP	RPM	BHP	RPM	BHP	RPM	BHP	RPM	BHP
8000	680	1.83	726	2.22	767	2.61	807	3.01	881	3.85	952	4.81	1018	5.83	1074	6.79	1174	8.70	1273	10.87
9000	754	2.48	796	2.92	834	3.36	871	3.80	939	4.71	1004	5.68	1067	6.78	1126	7.92	1227	10.10	1315	12.25
10000	828	3.29	867	3.78	903	4.27	937	4.75	1001	5.74	1061	6.78	1119	7.87	1176	9.08	1281	11.63	1368	14.00
11000	903	4.26	939	4.81	973	5.35	1005	5.88	1065	6.95	1122	8.06	1176	9.20	1228	10.41	1331	13.11	1424	15.92
12000	979	5.41	1013	6.02	1044	6.60	1074	7.19	1131	8.36	1184	9.54	1236	10.76	1285	12.01	1381	14.74	1473	17.75
13000	1055	6.76	1086	7.42	1116	8.07	1145	8.70	1198	9.96	1249	11.23	1298	12.52	1345	13.85	1435	16.63		
14000	1131	8.33	1161	9.05	1189	9.74	1216	10.43	1267	11.79	1315	13.15	1362	14.53	1406	15.93				

Performance shown is for Installation Type A: free inlet, free outlet. Power rating (BHP) does not include drive losses. Performance ratings include the effects of the discharge scoop in the airstream.

GBD Lubrication & Maintenance

Prelubricated Bearings

All bearing units are prelubricated with grease chosen for its chemical and mechanical stability.

Units furnished with a grease fitting should be periodically relubricated. The relubrication interval depends on bearing operating conditions including speed, temperature and environment:

Speed (RPM)	Temperature (°F)	Type of Environment	Greasing Interval
to 500	up to 120°F	clean	6 months
to 1000	up to 150°F	clean	6 months
to 1500	up to 210°F	clean	5 months
to 2000	over 210°F	clean	4 months
any	up to 150°F	dirty	5 months
any	over 150°F	dirty	4 months
any	any	extreme	3 months

The fan bearings are supplied with premium lithium complex NLGI #2 bearing grease.

Mixing different kinds of grease can greatly affect the viscosity, dropping point and penetration properties of the lubricant. Water and heat-resisting properties and mechanical stability are lowered. It is essential that the thickener (soap base), NLGI penetration grade and the base oil be of the same group. See the chart below for the mixing properties of grease.

Mixing Properties of Grease

SOAP BASE	CALCIUM	SODIUM	ALUMINUM	BARIUM	LITHIUM
CALCIUM	+	•	•	X	•
SODIUM	•	+	•	X	X
ALUMINUM	•	•	+	X	X
BARIUM	X	X	X	+	X
LITHIUM	•	X	X	X	+

- + Mixing will not produce appreciable changes of properties.
- Mixing may produce considerable changes of properties.
- X Mixing will cause a drastic change of properties.

Maintenance Procedures

The exhaust blower should be inspected every three months as follows:

1. Check the blower wheel; it lifts out of the scroll on GBD models. If grease laden, clean to insure quiet and efficient operation.
2. Check belt tension and wear; replace belts if wear is excessive.
3. Motors are equipped with prelubricated ball bearings, and will require no lubrication for normal operation.
4. Exhaust blower wheel ball bearings are equipped with grease fittings. Grease per instructions on left.

Relubrication Procedure

1. Add grease slowly with shaft rotating until a slight bead forms at the seals.
2. Relubrication is generally accompanied by a slight rise in operating temperature until the bearing chamber is stabilized with the proper amount of grease.
3. If necessary to relubricate while bearing is stationary, refer to bearing manufacturer's specifications for maximum grease capacity for size of bearing.
4. For abnormal operating conditions of high temperature or abnormal environments, consult the factory.

Warranty

What Products Are Covered

Supreme Fans (each, a “Supreme Fan Product”)

One Year Limited Warranty For Supreme Fan Products

Supreme Fan warrants to the original commercial purchaser that the Supreme Fan Products will be free from defects in material and workmanship for a period of one (1) year from the date of shipment.

Exclusive Remedy

Supreme Fan will, at its option, repair or replace (without removal or installation) the affected components of any defective Supreme Fan Product; repair or replace (without removal or installation) the entire defective Supreme Fan Product; or refund the invoice price of the Supreme Fan Product. In all cases, a reasonable time period must be allowed for warranty repairs to be completed.

What You Must Do

In order to make a claim under these warranties:

1. You must be the original commercial purchaser of the Supreme Fan Product.
2. You must promptly notify us, within the warranty period, of any defect and provide us with any substantiation that we may reasonably request.
3. The Supreme Fan Product must have been installed and maintained in accordance with good industry practice and any specific Supreme Fan recommendations.

Exclusions

These warranties do not cover defects caused by:

1. Improper design or operation of the system into which the Supreme Fan Product is incorporated.
2. Improper installation.
3. Accident, abuse or misuse.
4. Unreasonable use (including any use for non-commercial purposes, failure to provide reasonable and necessary maintenance as specified by Supreme Fan, misapplication and operation in excess of stated performance characteristics).
5. Components not manufactured by Supreme Fan.

Limitations

1. In all cases, Supreme Fan reserves the right to fully satisfy its obligations under the Limited Warranties by refunding the invoice price of the defective Supreme Fan Product (or, if the Supreme Fan Product has been discontinued, of the most nearly comparable current product).
2. Supreme Fan reserves the right to furnish a substitute or replacement component or product in the event a Supreme Fan Product or any component of the product is discontinued or otherwise unavailable.
3. Supreme Fan's only obligation with respect to components not manufactured by Supreme Fan shall be to pass through the warranty made by the manufacturer of the defective component.

General

The foregoing warranties are exclusive and in lieu of all other warranties except that of title, whether written, oral or implied, in fact or in law (including any warranty of merchantability or fitness for a particular purpose).

Supreme Fan hereby disclaims any liability for special, punitive, indirect, incidental or consequential damages, including without limitation lost profits or revenues, loss of use of equipment, cost of capital, cost of substitute products, facilities or services, downtime, shutdown or slowdown costs.

The remedies of the original commercial purchaser set forth herein are exclusive and the liability of Supreme Fan with respect to the Supreme Fan Products, whether in contract, tort, warranty, strict liability or other legal theory shall not exceed the invoice price charged by Supreme Fan to its customer for the affected Supreme Fan Product at the time the claim is made.

Inquiries regarding these warranties should be sent to: Supreme Fan, 843 Indianapolis Avenue, Lebanon, IN 46052



SupremeFan

Experience the Supreme Difference

843 Indianapolis Avenue
Lebanon, IN 46052
Phone: 765-483-5819
Fax: 765-482-0546

www.supremefan.com